



EU DECLARATION OF CONFORMITY  
DECLARACIÓN UE DE CONFORMIDAD

**3EBasor**

CABLE TRAY SPECIALIST

www.basor.com



Certificado Nº SGI 3198065/11

Certificado Nº SGI 3198065/12

The company / *La Empresa:*

**BASOR ELECTRIC, S.A.**

Address / *Dirección:*

Av. Alcodar, 45-47, 46700. Gandía (VLC), Spain.

Declares that the product:

*Declara que el producto:*

**BASORTUB R1250 PVC**

Installed in accordance to the installation standards, manufacturer's instructions and professional rules, duly maintained and used for the applications as intended.

*Instalado de acuerdo con las normas de instalación, instrucciones del fabricante y conforme a las reglas profesionales, debidamente mantenido y utilizado en las aplicaciones para las que está previsto.*

Complies with the essential requirements of the Council Directives:

*Cumple con los requisitos esenciales de las Directivas del Consejo:*

**2014/35/UE (Low Voltage Directive) / (Directiva de Baja Tensión)**

Incorporated in the Spanish Legislation in: R.D. 187/2016.

*Incorporado en la Legislación Española en: R.D. 187/2016.*

And it is suitable and safe for the intended use and it is in conformity with the following standard:

*Es adecuado y seguro para el uso a que está destinado y es conforme con la siguiente norma:*

**UNE EN 61386-1**

**UNE EN 61386-21**

Additional information:

*Información adicional:*

This product is intended to be installed and maintained by skilled persons, it may be used by ordinary persons only as a replacement part, to substitute for an identical device.

*Este producto está previsto para ser instalado y mantenido por un profesional, puede ser usado por una persona no formada para reemplazamiento de uno idéntico.*

Place and date:

*Lugar y fecha:*

Gandía May 2016

*Gandía Mayo 2016*

Technical department / *Departamento Técnico*

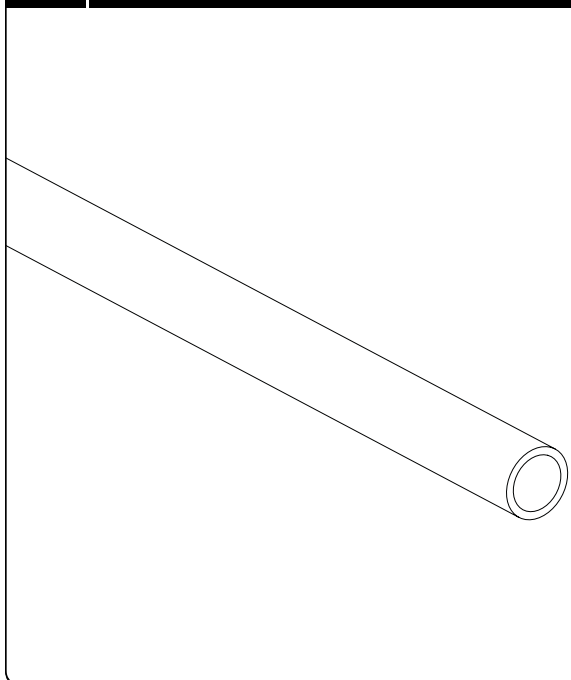


Certificado Nº SGI 3198055/11



Certificado Nº SGI 3198065/12

## R1250 PVC



### Models:

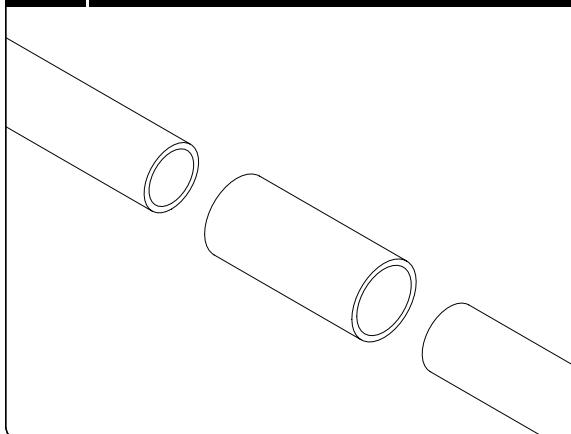
16, 20, 25, 32, 40, 50, 63

Material: PVC7035

### Characteristics:

- IEC 61386 Code: 4321 1254 4010
- Rigid plastic tube. Compressive strength: 1250N
- Impact strength: 2J
- Electrical insulating component
- Minimum temperature of -5 °C
- Maximum temperature of 60 °C
- Dielectric strength >2000V
- Insulation strength >100MΩ
- Non-flame propagating component
- V0 acc. to UL94
- Glow wire UNE-EN 60695-2-12 960°
- Comply with RoHS, 2011/65/CE

## INSTRUCTIONS FOR USE



- To assembly two straight sections one Union Joint JUR is needed.
- Installation for electrical systems should NOT run under other types of canalisations such as water, vapour or gas canalisations.
- This products is suitable to be bended on-field. To bend it use heat and an internal spring.

### Accesories:

Horizontal Bend CP90, Union Joint JUR, flex Bend, Racor MCR, Support SPR, ABR clamp.